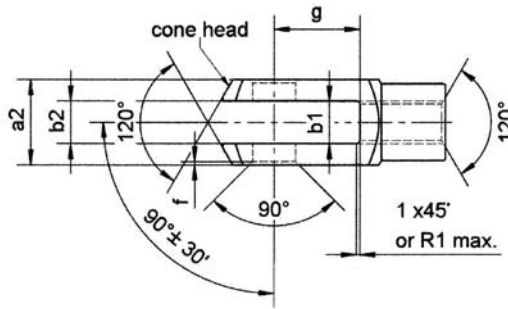
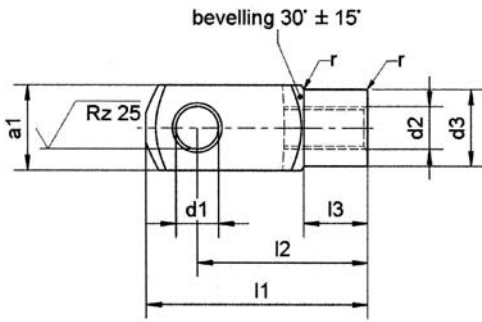



Clevis Joints (GM & GML)

yellow zinc plated - left hand thread

R3399



Order No.	Size	Thread (hand)	Thread type	d1 H9	g ±0,5	a1 h11	a2	b1 B13	b2	d2	d3	l1 ±0,5	l2	l3	
R3399.L040	4x8	Left	Coarse	4	8	8	8	4	4	M4	8	21	16	6	5
R3399.L041	4x16	Left	Coarse	4	16	8	8	4	4	M4	8	29	24	6	7
R3399.L051	5x10	Left	Coarse	5	10	10	10	5	5	M5	9	26	20	7,5	9
R3399.L052	5x20	Left	Coarse	5	20	10	10	5	5	M5	9	36	30	7,5	13
R3399.L061	6x12	Left	Coarse	6	12	12	12	6	6	M6	10	31	24	9	15
R3399.L062	6x24	Left	Coarse	6	24	12	12	6	6	M6	10	43	36	9	21
R3399.L081	8x16	Left	Coarse	8	16	16	16	8	8	M8	14	42	32	12	37
R3399.L082	8x16	Left	Fine	8	16	16	16	8	8	M8x1	14	42	32	12	37
R3399.L083	8x32	Left	Coarse	8	32	16	16	8	8	M8	14	58	48	12	54
R3399.L084	8x32	Left	Fine	8	32	16	16	8	8	M8x1	14	58	48	12	54
R3399.L102	10x20	Left	Coarse	10	20	20	20	10	10	M10	18	52	40	15	74
R3399.L103	10x20	Left	Fine	10	20	20	20	10	10	M10x1,25	18	52	40	15	74
R3399.L104	10x40	Left	Coarse	10	40	20	20	10	10	M10	18	72	60	15	116
R3399.L105	10x40	Left	Fine	10	40	20	20	10	10	M10x1,25	18	72	60	15	116
R3399.L122	12x24	Left	Coarse	12	24	24	24	12	12	M12	20	62	48	18	121
R3399.L123	12x24	Left	Fine	12	24	24	24	12	12	M12x1,25	20	62	48	18	121
R3399.L124	12x48	Left	Coarse	12	48	24	24	12	12	M12	20	86	72	18	175
R3399.L125	12x48	Left	Fine	12	48	24	24	12	12	M12x1,25	20	86	72	18	175
R3399.L142	14x28	Left	Coarse	14	28	27	27	14	14	M14	24	72	56	22,5	178
R3399.L143	14x28	Left	Fine	14	28	27	27	14	14	M14x1,5	24	72	56	22,5	178
R3399.L145	14x56	Left	Coarse	14	56	27	27	14	14	M14	24	101	85	22,5	258
R3399.L146	14x56	Left	Fine	14	56	27	27	14	14	M14x1,5	24	101	85	22,5	258
R3399.L163	16x32	Left	Coarse	16	32	32	32	16	16	M16	26	83	64	24	282
R3399.L164	16x32	Left	Fine	16	32	32	32	16	16	M16x1,5	26	83	64	24	282
R3399.L166	16x64	Left	Coarse	16	64	32	32	16	16	M16	26	115	96	24	411
R3399.L167	16x64	Left	Fine	16	64	32	32	16	16	M16x1,5	26	115	96	24	411
R3399.L183	18x36	Left	Coarse	18	36	36	36	18	18	M18	30	94	72	27	390
R3399.L184	18x36	Left	Fine	18	36	36	36	18	18	M18x1,5	30	94	72	27	390
R3399.L204	20x40	Left	Coarse	20	40	40	40	20	20	M20	34	105	80	30	550
R3399.L205	20x40	Left	Fine	20	40	40	40	20	20	M20x1,5	34	105	80	30	550
R3399.L208	20x80	Left	Coarse	20	80	40	40	20	20	M20	34	145	120	30	800
R3399.L209	20x80	Left	Fine	20	80	40	40	20	20	M20x1,5	34	145	120	30	800
R3399.L255	25x50	Left	Coarse	25	50	50	50	25	25	M24	42	132	100	36	1100
R3399.L256	25x50	Left	Fine	25	50	50	50	25	25	M24x2	42	132	100	36	1100
R3399.L285	28x56	Left	Coarse	28	56	55	55	28	28	M27	48	148	112	40	1500
R3399.L286	28x56	Left	Fine	28	56	55	55	28	28	M27x2	48	148	112	40	1500
R3399.L305	30x54	Left	Fine	30	54	55	55	30	30	M27x2	48	148	110	40	1440
R3399.L306	30x60	Left	Coarse	30	60	60	60	30	30	M30	52	160	120	42	1970
R3399.L307	30x60	Left	Fine	30	60	60	60	30	30	M30x2	52	160	120	42	1970
R3399.L355	35x54	Left	Fine	35	54	70	70	35	35	M36x2	60	188	144	54	2930
R3399.L357	35x72	Left	Coarse	35	72	70	70	35	35	M36	60	188	144	54	2930
R3399.L358	35x72	Left	Fine	35	72	70	70	35	35	M36x2	60	188	144	54	2930
R3399.L367	36x72	Left	Coarse	35	72	70	70	36	36	M36	60	188	144	54	2930
R3399.L368	36x72	Left	Fine	35	72	70	70	36	36	M36x2	60	188	144	54	2930
R3399.L408	40x84	Left	Fine	40	84	85	85	40	40	M42x2	70	232	168	63,5	5640
R3399.L428	42x84	Left	Coarse	42	84	85	85	42	42	M42	70	232	168	63,5	5340
R3399.L429	42x84	Left	Fine	42	84	85	85	42	42	M42x2	70	232	168	63,5	5340
R3399.L509	50x96	Left	Coarse	50	96	96	96	50	50	M48	82	265	192	73	7860
R3399.L510	50x96	Left	Fine	50	96	96	96	50	50	M48x2	82	265	192	73	7860

Material

Steel 1.0718 (11SMnPb30k)
Yellow zinc plated

Technical Notes

M4-M16: DIN 71 752/DIN ISO 8140.

M18-M48: Similar to DIN 71 752/DIN ISO 8140 and according to CETOP standard.

Yellow zinc is not RoHS Compliant

Tips

For Stainless Steel, see R3403.

Equivalent to GM+GML Springfix joints.

Important Notes

For sizes M4-M12, f and r=0,5.
For sizes M14-M16, f and r=1
For sizes M18-M20, f=1, r=1,5
For M24 f and r=1,5
For sizes M27-M30, f=1,5, r=2
For M36 f=2, r=3
For sizes M42-M48, f=3, r=5
For r, radius or 45° beveling at manufacturers choice.

Other Tolerances

a2: M4-M16 = +0,3 -0,16
M18-M48 = +0,5 -0,2
b2: size 4x8-10x20 = B13
All others +0,7 +0,15
d3: M4-M16 = ±0,3
l2: size 4x8-6x12 = ±0,3
All others ±0,4
l3: M4-M16 = ±0,2
M18-M48 = ±0,3
r: M18-M48 = ±0,5



Clevis Joints

overview



R3395-R3409 Clevis joints including **Stainless Steel**, plastic and turnbuckle versions.



R3410-R3417 Mating pieces for clevises - Male.



R3420-R3427 Mating pieces for clevises - Female.



R3430 - R3431 Knuckle Eyes



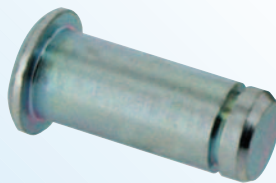
R3435-R3437 Clevis retention clips. Silver clear zinc plated or plastic. Equivalent to ESM + ESML clips.



R3440 Safety Fasteners. Equivalent to SLM fasteners. for use with clevis pins and shafts.



R3444 Safety Fasteners. Equivalent to KLM fasteners. for use with clevis pins and shafts.



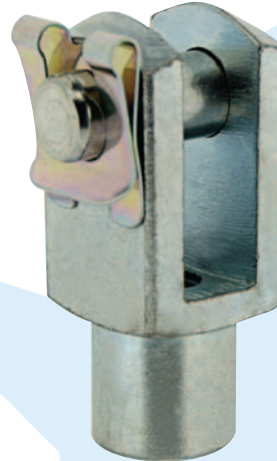
R3450-R3454 Clevis pins. Equivalent to NBM pins. Used with safety fasteners SLM + KLM.

Clevis Joint Set-Up Options

Zinc plated steel



Clevis with R3435 – R3437 clevis retention clip.



Clevis with R3450 clevis pin and R3440 safety fastener



Clevis with R3450 clevis pins and R3447 circlip.



Clevis with clevis pin, washer and cotter pin (available on request).

Stainless Steel



Clevis with R3454 clevis pin and R3447 circlips.



Clevis with **Stainless Steel** clevis pin, washer and cotter pin. (available on request).